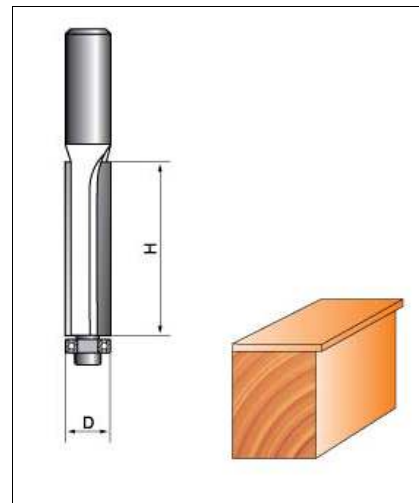
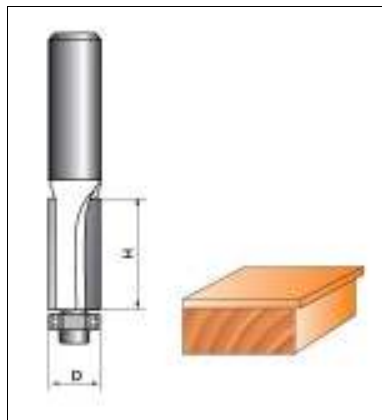
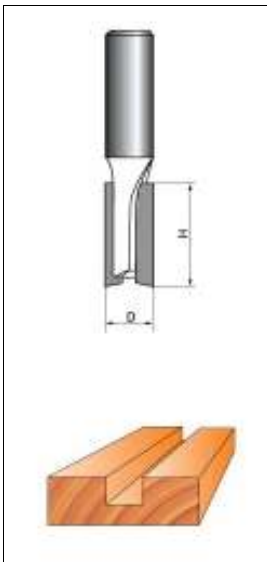




Router Specials

- ◆ Priced to Sell
- ◆ Excellent Value for Money
- ◆ Good Stocks
- ◆ Tried & Proven



Code	Style	Shank Size	Cutting Diameter	Cutting Length	Price
RO1/4.6.4x30	Straight	1/4'	6.4	30	\$12.50
RO1/4.12x30	Straight	1/4'	12.0	30	\$12.80
RO1/2	Straight	1/2'	12.7	30	\$14.50
R01/2LR	Straight	1/2'	12.7	50	\$15.50
RO1/2TRIM30	Trim	1/2'	12.7	30	\$15.80
RO1/2TRIM50	Trim	1/2'	12.7	50	\$18.50

Prices exclude gst

PO Box 7599
95 Disraeli Street
CHRISTCHURCH

Ph. 03 962 1333
Ph 0800 726268
Fax 03 962 1332

Email: sales@sanco.co.nz
Web: sancotooling.co.nz

